

The device (current transformer) is an optional device that can optimize the Electric Vehicle (EV) Charger. It is the responsible to analyze the total current consumption in the residential, and to manage the remaining current for the EV Charger, avoiding any tripping the Main Circuit Breaker (MCB) for overconsumption.

BeON product range: 25 A for 5,75 kW / 30 A for 6,9 kW / 35 A for 8,05 kW / 40 A for 9,2 kW / 50 A for 11,5 kW / 63 A for 14,49 kW.

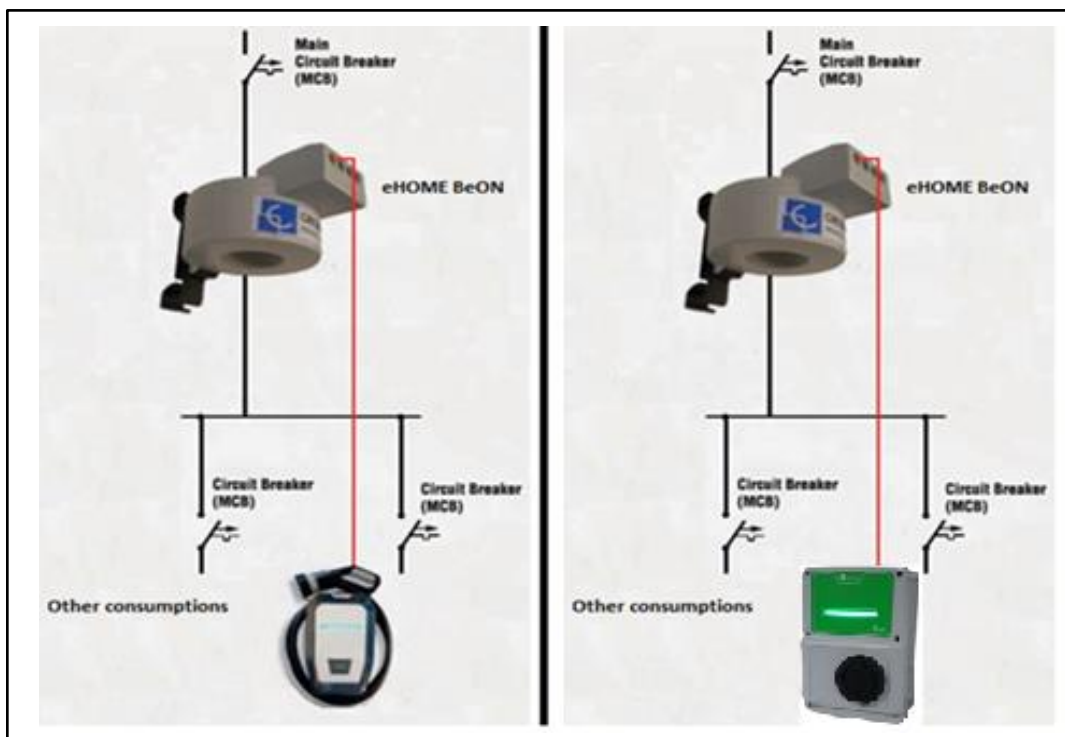
The eHOME BeON is connected after the Main Circuit Breaker (MCB) of the electric installation and before the main loads distribution.

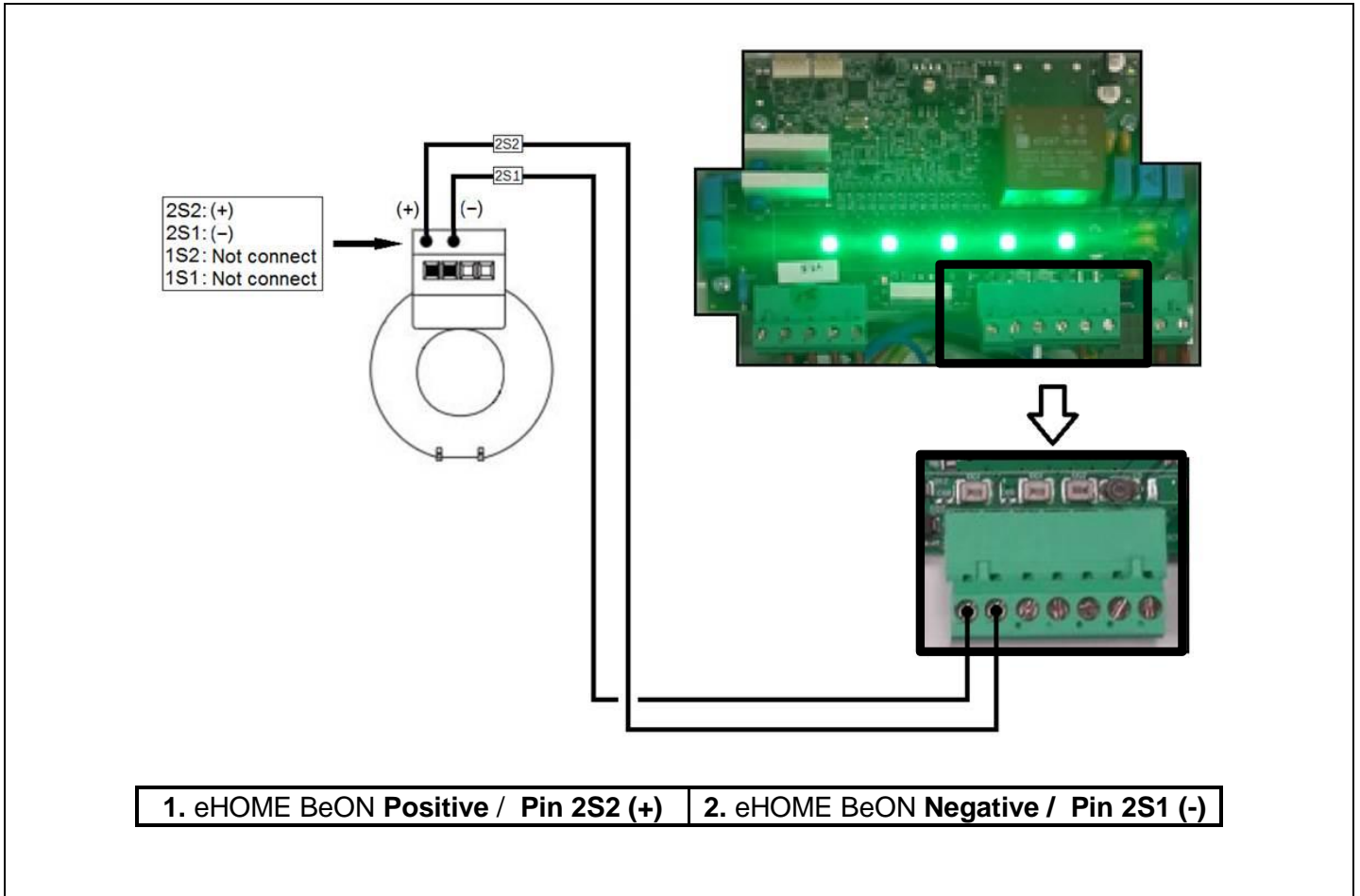


Only the authorised and qualified staff can manipulate the electrical and electronic components.

- Comply strictly with electrical safety regulations according to your country.
- Do not make repairs or manipulations with the unit energised.
- Only trained and qualified personnel should have access to low-voltage electrical parts.
- Use only Circontrol supplied spare parts.

CONNECTIONS OF eHOME BeON





eHOME BeON	
PRODUCT SPECIFICATION	
Type Current Transformer	Ring Core Current Transformer
Material	Polyester
Dimensions	30 x 15 mm
Rated Insulation Level	0.72 / 3 /- kV
Connection	2S1 (-) / 2S2 (+)
Relation	25/0.05 A - 30/0.05 A - 35/0.05 A - 40/0.05 A - 50/0.5 A - 63/0.05 A
Accuracy	Class I
Direction of the current	P1↓
Index of Protection	IP20

NOTICE: Device available for the WallBox range: **eHOME & eHOME + Series** and **eBasic Series**